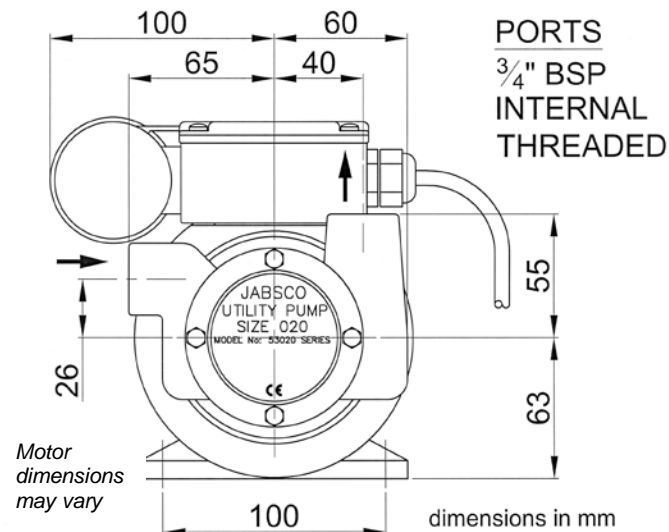
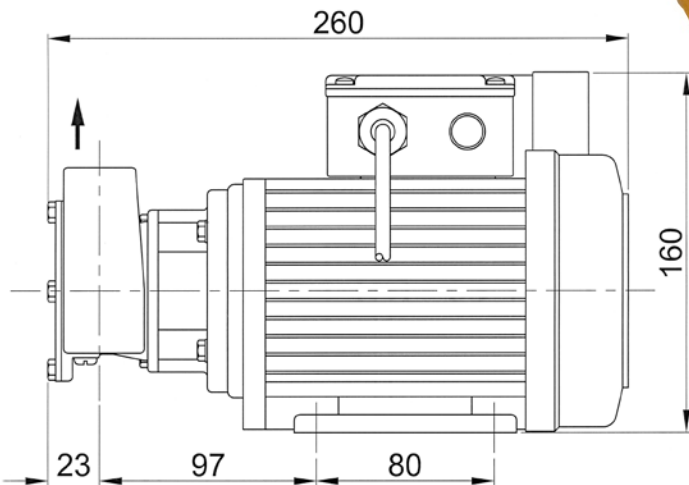


# JABSCO UTILITY PUMPS

a xylem brand



## 20-size UTILITY PUMP with 3/4" ports and AC electric motor



### PUMP MODELS

- 53021-2013-230** 230 volt 1 phase 50Hz Continuously rated motor
- 53020-2013** 230 volt 1 phase 50Hz 40 minute rated motor
- 53021-2013-110** 110v 1 phase 50Hz Continuously rated motor
- 53021-2013-400** 400v 3 phase 50Hz Continuously rated motor

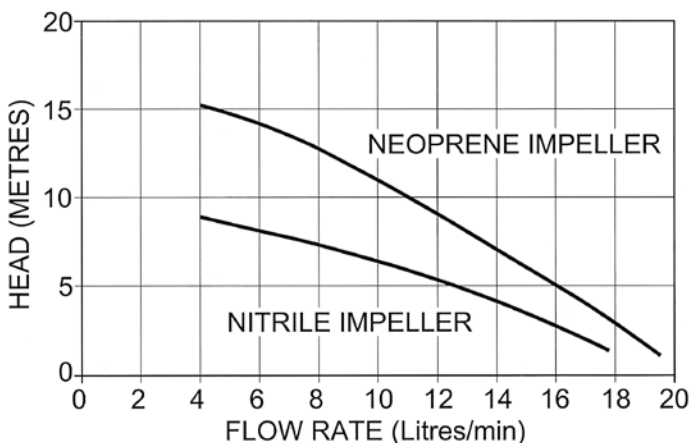
- ◆ Nitrile oil-resistant impeller fitted as standard.
- ◆ Neoprene impeller version available.

### SPECIFICATION

*Pump body:* bronze  
*Weight:* 7.1kg  
*Shaft:* AISI316 stainless steel  
*Shaft seal:* mechanical (carbon-ceramic)  
*Impeller:* see pump models above  
*Max. recommended liquid viscosity:* 100cp. Check with your pump supplier if in doubt.  
**Motor:** 0.18kw, 1400rpm, totally enclosed, fan ventilated, IP55 enclosure. Single-phase motors fitted with manual reset thermal overload cut-out.

- ◆ Rapid self-priming up to 2 metres vertical lift.
- ◆ Handles hard and soft solids up to 3mm dia.
- ◆ Can pump up to 90% entrained air.
- ◆ Up to 10 minutes dry running protection.
- ◆ Quick and simple to maintain
- ◆ Light, compact, portable and tough

### PUMP PERFORMANCE



#### WARNING

Explosive hazard. Do not pump gasoline, solvents, thinners or other flammable liquids. To do so can cause an explosion resulting in injury or death

Performance figures are based on manufacturer's tests with water and are not guaranteed for any particular application

Product descriptions and specifications are subject to alteration without notice